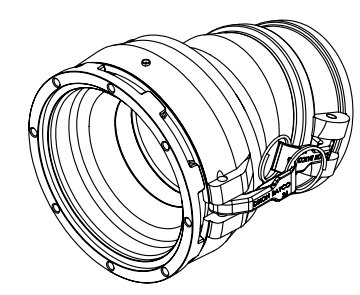
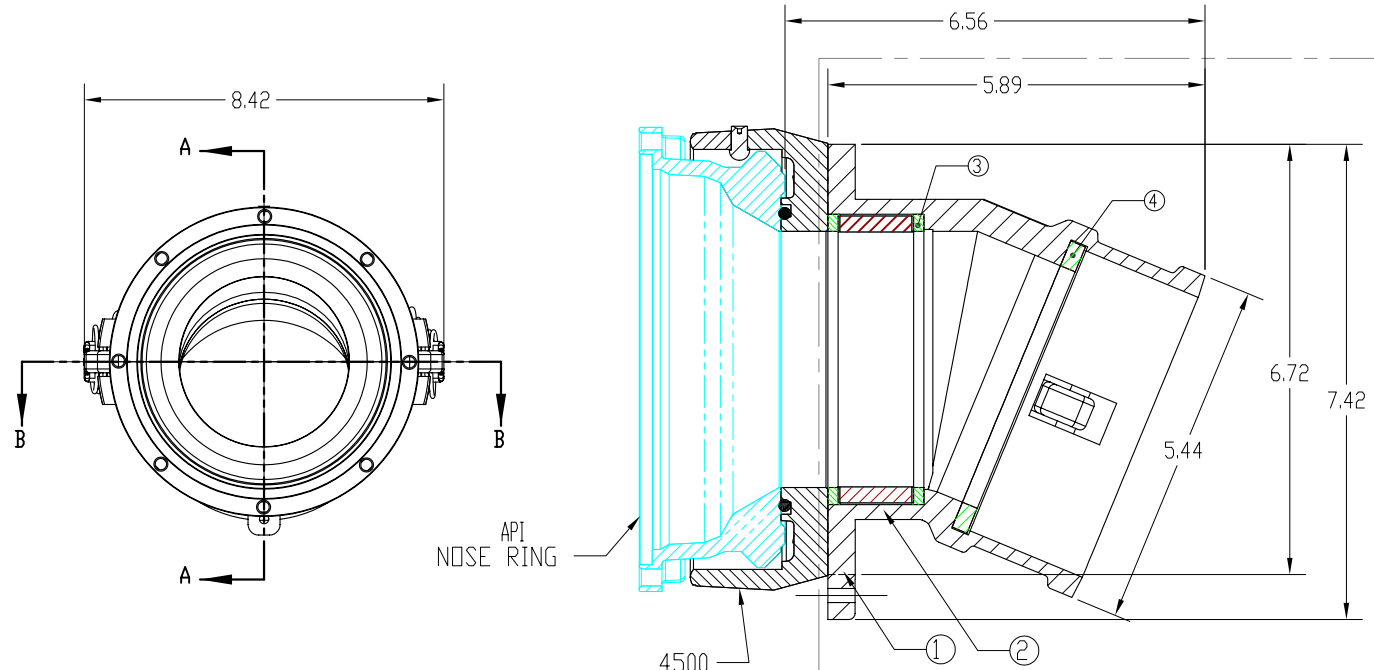


THE INFORMATION CONTAINED IN THIS DRAWING IS THE SOLE PROPERTY OF DIXON BAYCO LIMITED. ANY REPRODUCTION IN PART OR WHOLE WITHOUT THE WRITTEN PERMISSION OF DIXON BAYCO LIMITED IS PROHIBITED.

| REVISION TABLE | | | | |
|----------------|-----|-------------|------|----------|
| REV. | ECO | DESCRIPTION | DATE | APPROVED |
| ** | ** | ** | ** | ** |
| | | | | |
| | | | | |



SECTION A-A
SCALE 1 : 2

| ITEM | DESCRIPTION | QTY |
|------|-------------|-----|
| 1 | BODY | 1 |
| 2 | S/GLASS | 1 |
| 3 | GASKET | 2 |
| 4 | GASKET | 1 |
| 5 | CAM ARM | 2 |
| 6 | PIN | 2 |
| 7 | FINGER RING | 2 |
| 8 | BOLTS | 8 |
| 9 | L/WASHER | 8 |

| | | | |
|---|------------------|---|--------------------------|
| | | DIXON BAYCO LIMITED 2200 LOGAN AVE. WINNIPEG, MB, R2R 0J2 PHONE (204) 633-5650 FAX (204) 633-6119 | |
| | | TITLE 4"-22.3 COUPLER | |
| CAD GENERATED DRAWING; DO NOT MANUALLY UPDATE. DO NOT SCALE DRAWING. | | APPROVALS DRAWN BY: FF CHECKED: CM | DATE 6/1/06 6/1/06 |
| SIZE: B DWG. NO: 4504 ECO: | CUSTOMER DRAWING | REV. 0 | SHEET 1 OF 1 |