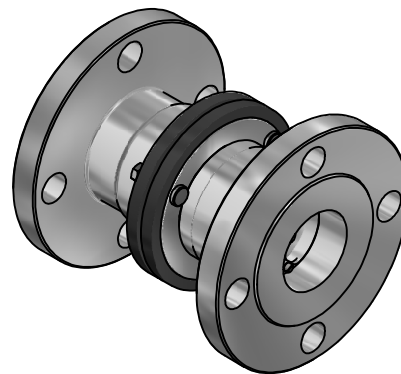
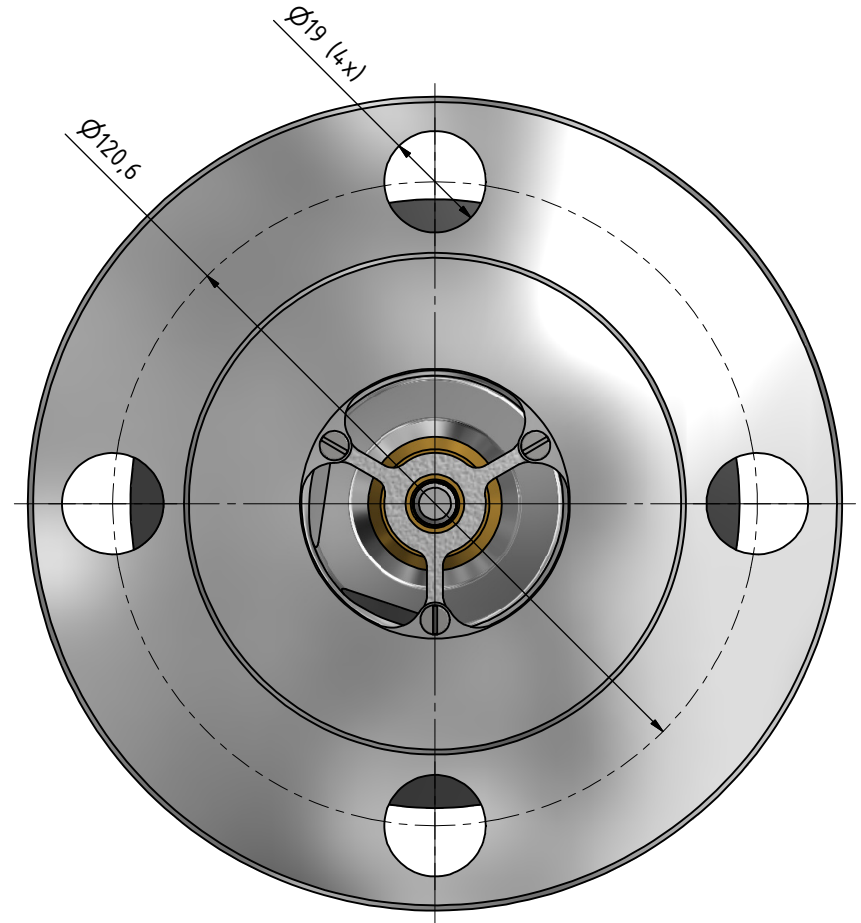
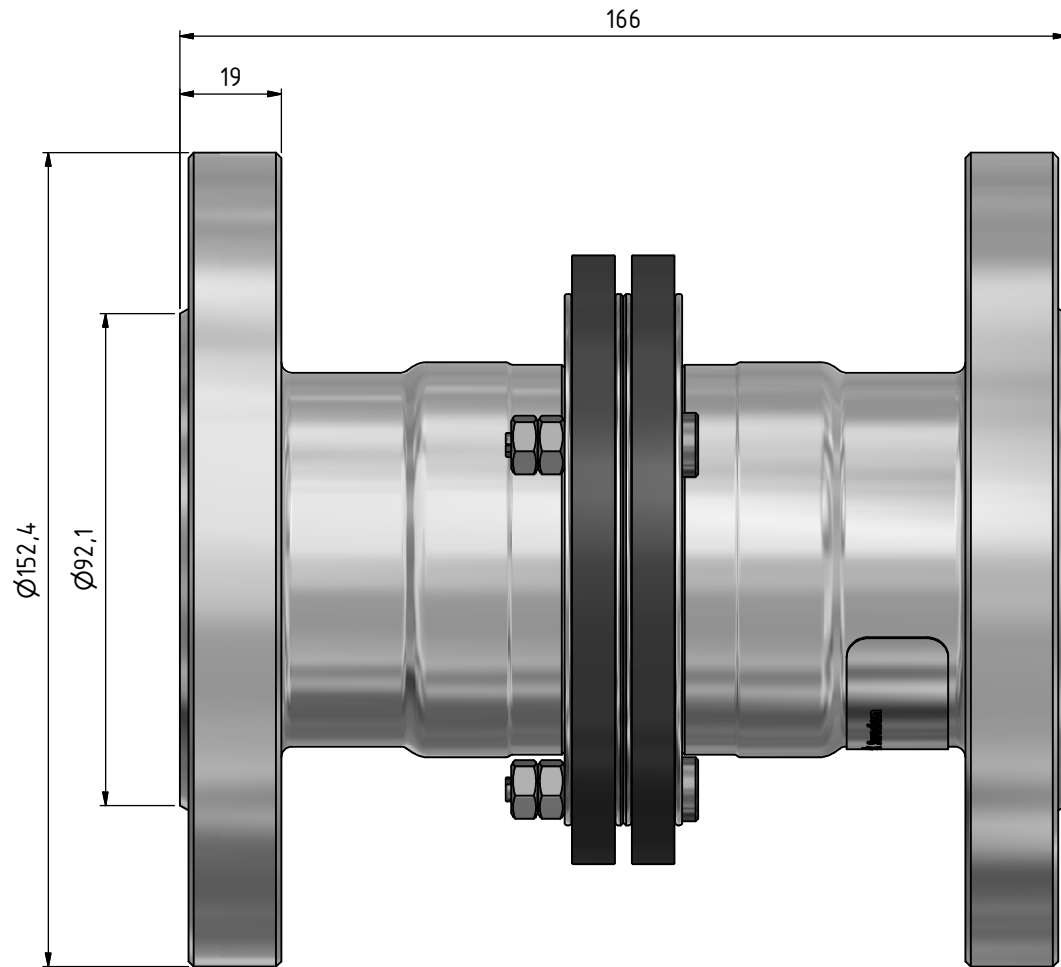


Notice: This drawing contains proprietary information and shall not be used or reproduced or its contents disclosed in whole or in part, without the prior written consent of the Mann Teknik AB



Dimensions are in metric.

Detail No:	Material	Ämne/Blank	Ytbeh./Treatment	Vikt/Weight
<b>Mann</b> T e k	Designed/drawn by A. Eskilsson	Scale: 1:1	Dimension with no tolerances acc to Machined SS-ISO 2768-1 medium	
	Checked G. Kopplin	Date 2013-04-19	Weld Forge SS-ISO 2768-1 coarse	
	Approved T. Mann		Surface roughness SS-ISO 1302 Form & position tol SS-ISO 2768-2-K	
<b>Industrial Break-Away 2" - CBC</b>			Data nr./Comp No. NC2D_smst_pur_ring	Blad/Sheet 1 / 1
<b>Flange 2" ANSI Cl.150</b>			Drawing No.	Rev.
			<b>NC257D44-1</b>	

NO.	Revision comprises	Date	Sign.	Appr by