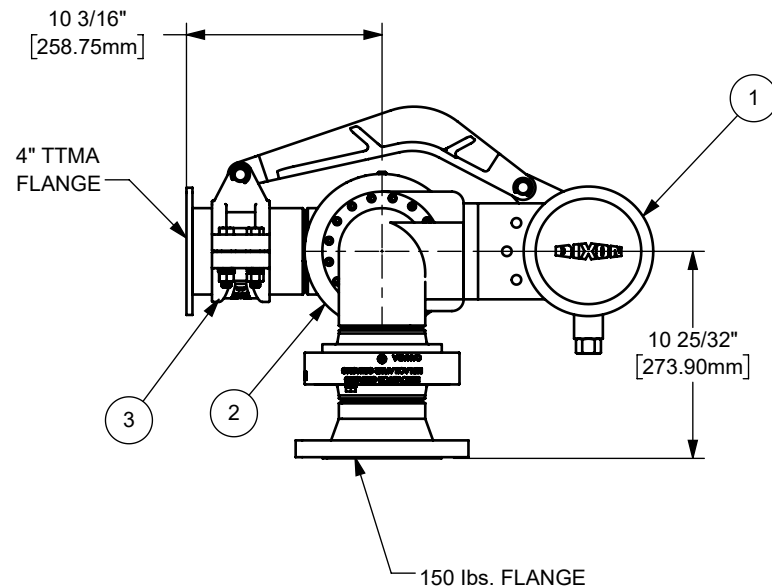


ISOMETRIC VIEW

CUSTOMER APPROVAL: \_\_\_\_\_ DATE: \_\_\_\_\_

\*Note: The provided spring has a bending moment load capacity of 12,000 Inch-Pounds. If the moment load exceeds this maximum the loading arm will not balance.



| ITEM NO. | PART NUMBER      | DESCRIPTION   | MATERIAL     | QTY. |
|----------|------------------|---|--------------|------|
| 3        | ESB-CLAMP-4      | 4" CLAMP  | IRON         | 1    |
| 2        | SF450FGXTFCS10CB | 4" SPLITFLANGE STYLE 50 SWIVEL WITH VITON SEALS AND C.B. MOUNT (CPOPWTHREADED) AND 150 LBS. FLANGES | CARBON STEEL | 1    |
| 1        | ESB1-C           | High Spring Counterbalance  | MISC.        | 1    |



The Right Connection™

dixonvalve.com

Loading arms have been designed to work in a set range of motion and calculated to balance the provided equipment. If additional items are installed (such as tie-down chains, drip buckets, valves, vapor hoses etc.) it will adversely affect the balance and range of the loading arm. All loading arms are custom made to order and are not returnable, however Dixon is committed to providing a solution to any unforeseen issue.

**PROPRIETARY AND CONFIDENTIAL**

This drawing is owned by Dixon Valve & Coupling Co. and shall be returned upon demand. It is loaned on condition that it shall not be copied or reproduced or submitted to others without the owners consent. In accepting it subject to this condition the recipient further agrees that this drawing or any design detail or concept disclosed herein shall not be used in any way detrimental to or in competition with the owner. If the recipient does not agree to the terms of this agreement they shall return this drawing immediately. The information contained in this drawing is subject to change without notice.

**DIXON**  **U.S.A.**

THE RIGHT CONNECTION™

TITLE: 4" LOADING ARM BASE SWIVEL\_RIGHT HAND UPFEED DESIGN

MATERIAL: SEE BOM

PART NUMBER: **C4060000000001**

**DO NOT SCALE THIS DRAWING**