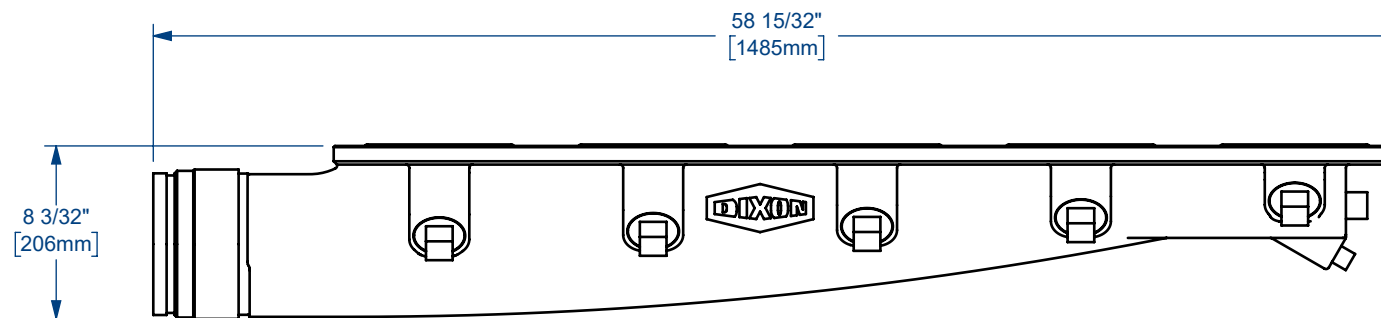
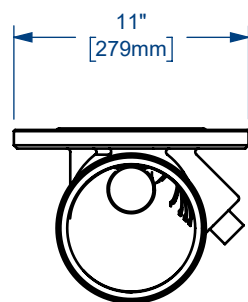


ITEM NO.	PART NUMBER	DESCRIPTION	MATERIAL	QTY.
1	5PORTM-6T	5-PORT ZOOMIE MANIFOLD WITH 6" MALE NPT INLET	SEE BOM	1
	5PORTM-6T	5-PORT ZOOMIE MANIFOLD BODY	IRON	1
	O439BU	O-RING	BUNA-N	5
	HHBT875X175	7/8" HEX HEAD BOLT x 1 3/4" LONG	CARBON STEEL	20
	HUWAS225OD	2 1/4" OD FLAT WASHER	CARBON STEEL	20
2	A716F	6" VICTAULIC GROOVE x 6" FEMALE NPT	CARBON STEEL	1
3	SHP100FS	1" SQUARE HEAD PLUG	STEEL	1
4	SHP200FS	2" SQUARE HEAD PLUG	STEEL	6



NOTE(S)

- 1) ITEMS 3 AND 4 ASSEMBLED SEALED WITH PTFE TAPE.
- 2) BOLT (HHBT875X175) AND WASHER (HUWAS225OD) IN ITEM 1 NOT SHOWN.



The Right Connection™

dixonvalve.com

PROPRIETARY AND CONFIDENTIAL

This drawing is owned by Dixon Valve & Coupling Co. and shall be returned upon demand. It is loaned on condition that it shall not be copied or reproduced or submitted to others without the owners consent. In accepting it subject to this condition the recipient further agrees that this drawing or any design detail or concept disclosed herein shall not be used in any way detrimental to or in competition with the owner. If the recipient does not agree to the terms of this agreement they shall return this drawing immediately. The information contained in this drawing is subject to change without notice.

DO NOT SCALE THIS DRAWING

DIXON U.S.A.

THE RIGHT CONNECTION™

TITLE: 5-PORT ZOOMIE MANIFOLD ASSEMBLY
CUSTOMER SPECIAL

MATERIAL: SEE BOM

PART NUMBER: **5PM-D2**