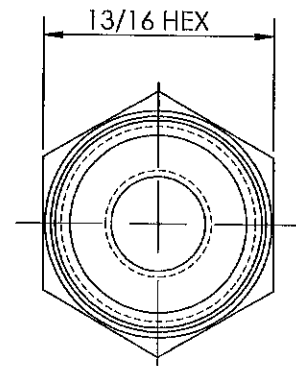
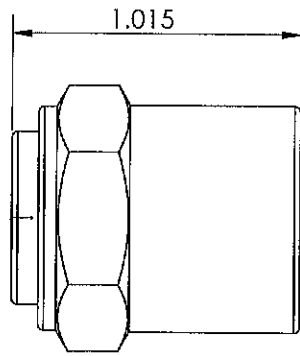
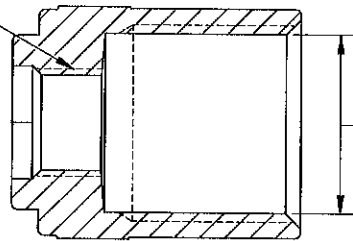


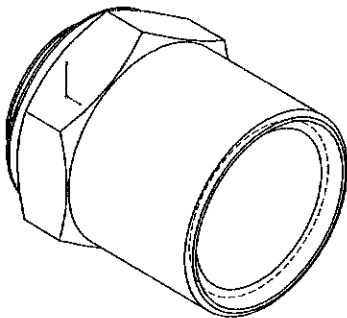
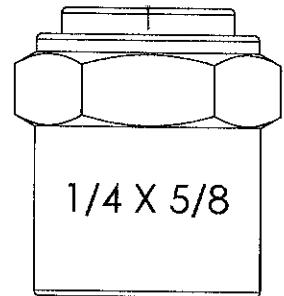
LINE DRAWING NOT FOR PRODUCTION PURPOSES




3/8 - 24 UNF-2B
HOSE I.D. 1/4

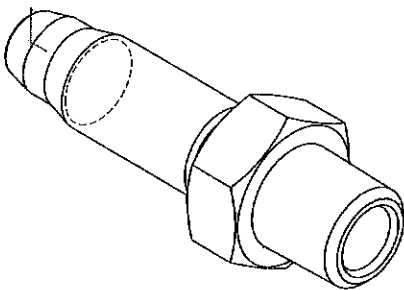
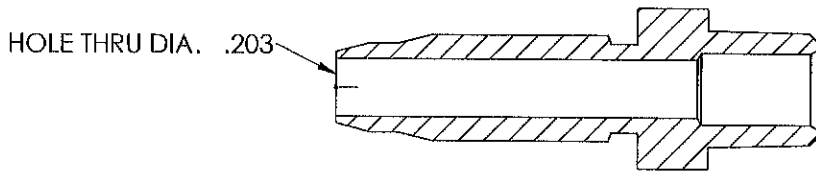
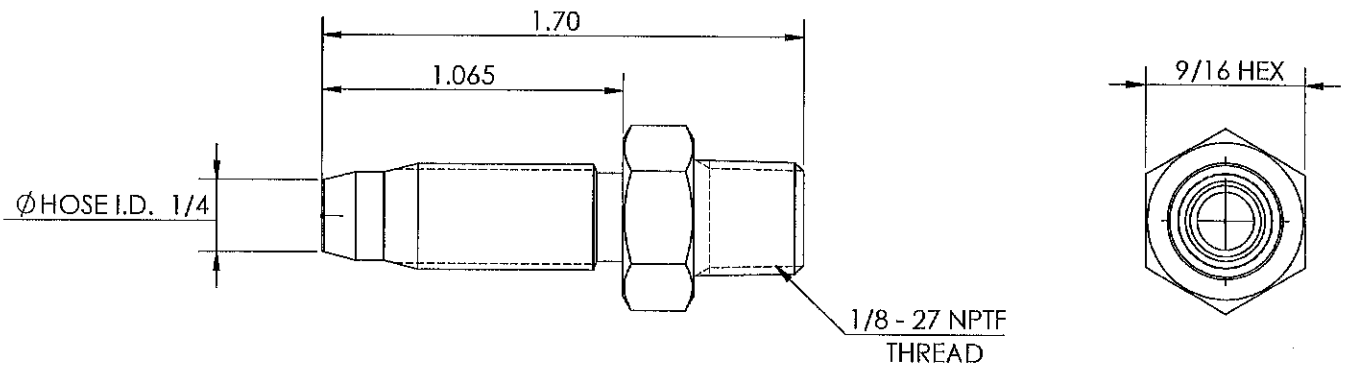



Ø HOSE O.D. 5/8



THIS DRAWING CONTAINS INFORMATION DEEMED PROPRIETARY TO DIXON BRASS AND IS TO BE USED ONLY FOR THE PURPOSE FOR WHICH IT IS SUBMITTED, AND FURTHER, SHALL NOT BE COPIED IN WHOLE OR IN PART WITHOUT EXPRESS WRITTEN PERMISSION FIRST OBTAINED FROM DIXON BRASS.				
UNLESS OTHERWISE SPECIFIED:				
DIMENSIONS ARE IN INCHES		 Dixon Brass Westmont, Illinois USA	DRAWN	DATE
TOLERANCES: ANGLES: ±0°30' .X (±.015) .XX (±.010) .XXX (±.005)			P. MONAGHAN	4/17/15
DIMENSIONS PER ANSI Y14.5			APPROVED	DATE
			ECO NO.	
TITLE:		DRAWING NOT REPRODUCED TO SCALE		
REUSABLE FERRULE		SIZE	DWG. NO.	REV
		A	1800410F	B

LINE DRAWING NOT FOR PRODUCTION PURPOSES



<small>THIS DRAWING CONTAINS INFORMATION DEEMED PROPRIETARY TO DIXON BRASS AND IS TO BE USED ONLY FOR THE PURPOSE FOR WHICH IT IS SUBMITTED, AND FURTHER, SHALL NOT BE COPIED IN WHOLE OR IN PART WITHOUT EXPRESS WRITTEN PERMISSION FIRST OBTAINED FROM DIXON BRASS.</small>				
<small>UNLESS OTHERWISE SPECIFIED:</small>				
<small>DIMENSIONS ARE IN INCHES</small>		 Dixon Brass Westmont, Illinois USA	<small>DRAWN</small> P. MONAGHAN	<small>DATE</small> 4/27/15
<small>TOLERANCES:</small> ANGLES: $\pm 0^{\circ}30'$.X (± 0.015) .XX (± 0.010) .XXX (± 0.005)			<small>APPROVED</small>	<small>DATE</small>
<small>DIMENSIONS PER ANSI Y14.5</small>		<small>TITLE:</small> REUSABLE MALE STEM	<small>ECO NO.</small>	<small>DRAWING NOT REPRODUCED TO SCALE</small>
<small>SIZE</small> A	<small>DWG. NO.</small> 1820402S	<small>REV</small> E		