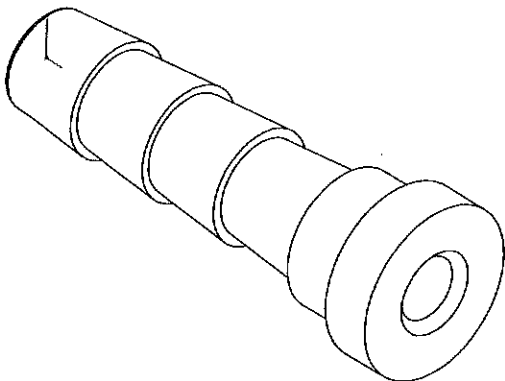
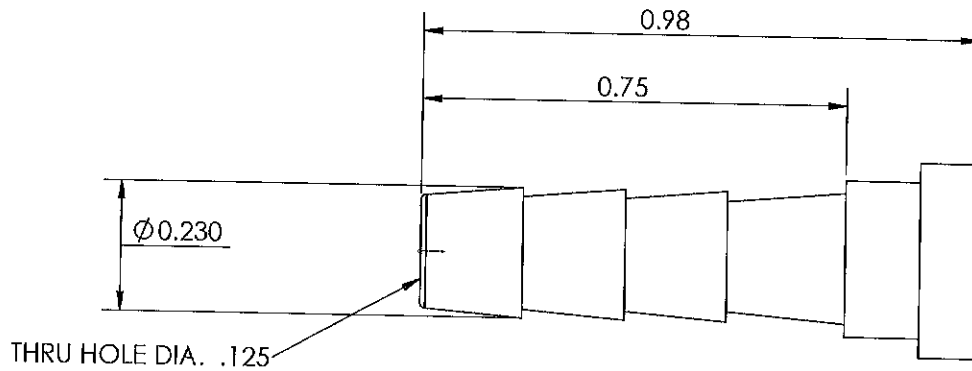

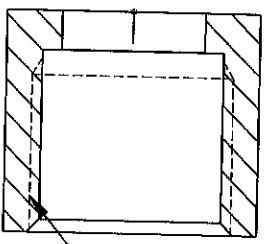
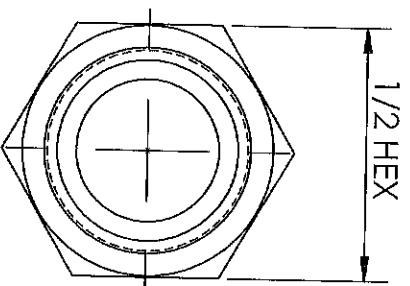
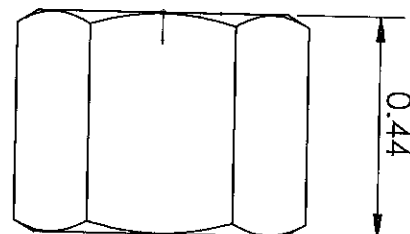


LINE DRAWING NOT FOR PRODUCTION PURPOSES

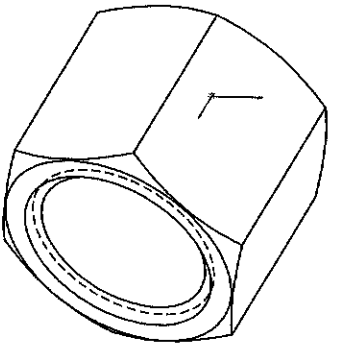


THIS DRAWING CONTAINS INFORMATION DEEMED PROPRIETARY TO DIXON BRASS AND IS SO TO BE USED ONLY FOR THE PURPOSE FOR WHICH IT IS SUBMITTED, AND FURTHER, SHALL NOT BE COPIED IN WHOLE OR IN PART WITHOUT EXPRESS WRITTEN PERMISSION FIRST OBTAINED FROM DIXON BRASS, UNLESS OTHERWISE SPECIFIED.			
DIMENSIONS ARE IN INCHES TOLERANCES: ANGLES: $\pm 0^{\circ}30'$.X (± 0.010) .XX (± 0.010) .XXX (± 0.005) DIMENSIONS PER ANSI Y14.5	 The Right Connection™	Dixon Brass Westmont, Illinois USA	
		DRAWN P. MONAGHAN APPROVED	DATE 2/28/14 DATE
TITLE: 3/16 SWIVEL STEM GASKET SEAT TYPE		ECO NO.	
DIMENSIONS PER ANSI Y14.5		DRAWING NOT REPRODUCED TO SCALE	
SIZE A	DWG. NO. 1260302S	REV C	

LINE DRAWING NOT FOR PRODUCTION PURPOSES



1/8 - 27 NPSM
THREAD



THIS DRAWING CONTAINS INFORMATION DEEMED PROPRIETARY TO DIXON BRASS AND IS SO TO BE USED ONLY FOR THE PURPOSE FOR WHICH IT IS SUBMITTED, AND FURTHER, SHALL NOT BE COPIED IN WHOLE OR IN PART WITHOUT EXPRESS WRITTEN PERMISSION FIRST OBTAINED FROM DIXON BRASS, UNLESS OTHERWISE SPECIFIED.

DIMENSIONS ARE IN INCHES

TOLERANCES:
X (±.015)
XX (±.010)
XXX (±.005)

DIMENSIONS PER ANSI Y14.5



Dixon Brass
Westmont, Illinois USA

TITLE:

FEMALE SWIVEL NUT
1/8 - 27 NPSM

DRAWN	DATE
P. MONAGHAN	2/27/14
APPROVED	DATE
ECO NO.	

SIZE	DWG. NO.	REV
A	1240202N	C

DRAWING NOT REPRODUCED TO SCALE