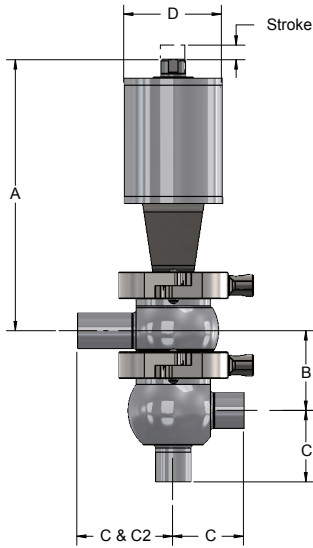




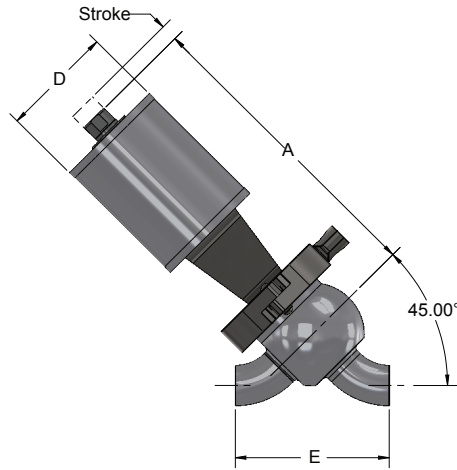
The Right Connection®

SSV Series Single Seat Valves

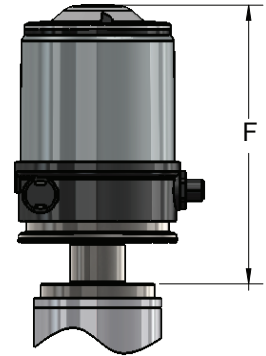
Dimensional Drawings



Single Body Types: L, T
 Double Body Types:
 F, L-L, T-L, L-T, T-T



Single Body Type: Y



Burkert 8691 Control Head

Valve Size	A	Stroke	B	C (Clamp)	C (Weld)	C2	D	E (Clamp)	E (Weld)	F
1"	7.58"	0.41"	2.23"	2.50"	2.00"	3.20"	2.78"	4.78"	3.78"	6.00"
1½"	8.80"	0.77"	3.15"	2.75"	2.25"	---	4.11"	6.60"	5.60"	6.00"
2"	9.05"	0.77"	3.64"	3.50"	3.00"	---	4.11"	7.64"	6.64"	6.00"
2½"	11.36"	1.04"	4.72"	3.50"	3.00"	---	6.08"	9.33"	8.33"	6.00"
3"	11.61"	1.04"	5.04"	3.75"	3.25"	---	6.08"	10.63"	9.63"	6.00"
4"	12.10"	1.04"	5.94"	4.50"	3.87"	---	6.08"	13.18"	11.93"	6.00"

Dixon Sanitary

N25 W23040 Paul Road • Pewaukee, WI 53072

ph: 800.789.1718 • 262.513.6900 • fx: 800.789.4046 • 262.513.4904

dixonvalve.com

Printed in the USA

connect with us on



© 2018 DVCC

SSV_I&ODD_1218_inhouse