

## HT-Series ISO16028 Flushface Interchange

### Interchange Data:

- Interchangeable to ISO16028
- Parker FEM-Series, Snap-Tite 74-Series, Hansen FF, Aeroquip/Eaton FD89, Stucchi FIRG/Series 'A',
- Faster FFN/FFI/2FFN/2FFI, Safeway FF49-Series

### Seal Components:

- $3/8$ ",  $1/2$ ", and  $3/4$ " nipples have molded Polyurethane valve seals, with a temperature range of  $-54^{\circ}\text{C}$  to  $+100^{\circ}\text{C}$  ( $-65^{\circ}\text{F}$  to  $+212^{\circ}\text{F}$ )
- $1/2$ ",  $5/8$ " and 1" to 2" nipples have Nitrile-Energised PTFE valve seals, with a temperature range of  $-40^{\circ}\text{C}$  to  $+121^{\circ}\text{C}$  ( $-40^{\circ}\text{F}$  to  $+250^{\circ}\text{F}$ )
- Couplers have a polyurethane valve stem O-Ring, with a temperature range of  $-54^{\circ}\text{C}$  to  $+100^{\circ}\text{C}$  ( $-65^{\circ}\text{F}$  to  $+212^{\circ}\text{F}$ )
- Ancillary coupler and nipple seals are Nitrile (Buna-N), temperature range of  $-40^{\circ}\text{C}$  to  $+121^{\circ}\text{C}$  ( $-40^{\circ}\text{F}$  to  $+250^{\circ}\text{F}$ )
- PTFE or TPC-ET Anti-Extrusion ring protects main coupling valve seal from dynamic impulse pressure damage



### Materials:

- Machined components are manufactured using solid Steel or 316 Stainless Steel bar stock
- Stainless Steel balls, retaining rings, and springs maximise corrosion resistance and extend service life
- Steel componentry is plated using ROHS Compliant Zinc Nickel for superior corrosion resistance
- Steel coupler sleeves are hardened to resist deformation and maximise service life
- Steel nipples are hardened to provide resistance to brinelling during impulse service

### Rated Pressure Chart:

HT-SERIES ISO16028 FLUSHFACE																
BODY SIZE	STEEL COUPLER/PLUG COUPLED				316 STAINLESS STEEL COUPLER/PLUG COUPLED				STEEL COUPLER UNCOUPLED				STEEL PLUG UNCOUPLED			
	Max. Working		Burst		Max. Working		Burst		Max. Working		Burst		Max. Working		Burst	
	PSI	Bar	PSI	Bar	PSI	Bar	PSI	Bar	PSI	Bar	PSI	Bar	PSI	Bar	PSI	Bar
1/4"	5000	345	20,000	1,379	-	-	-	-	5000	345	20,000	1379	5000	345	20,000	1,379
3/8"	5000	345	20,000	1,379	3500	241	17,500	1,207	5000	345	20,000	1379	5000	345	20,000	1,379
1/2"	5000	345	20,000	1,379	3400	234	17,000	1,172	5000	345	20,000	1379	5000	345	20,000	1,379
5/8"	5000	345	20,000	1,379	2920	201	14,600	1,007	5000	345	20,000	1379	5000	345	20,000	1,379
3/4"	5000	345	20,000	1,379	2920	201	14,600	1,007	5000	345	20,000	1379	5000	345	20,000	1,379
1"	5000	345	20,000	1,379	2920	201	14,600	1,007	5000	345	20,000	1379	5000	345	20,000	1,379
1 1/2"	3000	207	12,000	828	-	-	-	-	3000	207	12,000	828	3000	207	12,000	828
2"	3000	207	12,000	828	-	-	-	-	3000	207	12,000	828	3000	207	12,000	828

### Technical Specifications:

BODY SIZE	INTERCHANGE STANDARDS				FUNCTIONAL PARAMETERS				
	U.S. MILITARY	U.S. GOVERNMENT	INTERNATIONAL STANDARDS	ANSI/NFPA STANDARDS	LOCKING BALL QUANTITY	AIR INCLUSION	FLUID LOSS	VACUUM INCH HG	FLOW $\Delta P = 15 \text{ PSI}$ L/MIN
1/4"	-	-	ISO16028	-	12	n/a	0.010cc	N/R	11
3/8"	-	-	ISO16028	T3.20.15	12	n/a	0.010cc	N/R	41
1/2"	-	-	ISO16028	-	12	n/a	0.010cc	N/R	68
5/8"	-	-	ISO16028	-	12	n/a	0.020cc	N/R	79
3/4"	-	-	ISO16028	-	12	n/a	0.030cc	N/R	106
1"	-	-	ISO16028	-	12	n/a	0.030cc	N/R	188
1 1/2"	-	-	-	-	18	n/a	0.050cc	N/R	526
2"	-	-	-	-	20	n/a	0.070cc	N/R	846

# Quick Release Couplings

**High Flow Performance!**

High strength laser-cut valve guide maximises valve stability while minimising flow restriction.

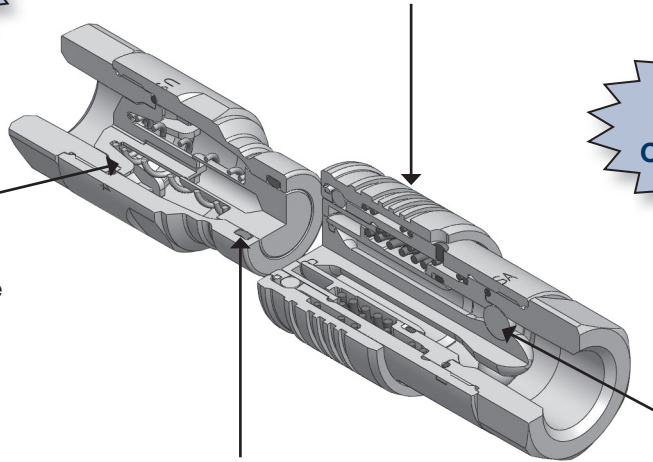
**Compact Profile!**

Bulkhead mountable sleeve for breakaway, multi-plate, or Blindmate installations.

**Easily Reassemble Coupler & Nipple!**

DORS (dual opposing retention spheres) retention system prevents valve stem ejection during surge flow and pressure spike conditions.

Improved sealing system incorporates a high performance molded polyurethane or O-ring energised PTFE valve seal.



I



Note: Fits Dixon couplers only

## HT-SERIES ISO16028 FLUSHFACE INTERCHANGE (COUPLER DUST PLUG)

PART NO.	BODY SIZE	CAP LANYARD	BODY MATERIAL
2HTDP	1/4"	Nitrile	Nitrile
3HTDP	3/8"	Nitrile	Nitrile
4HTDP	1/2"	Nitrile	Nitrile
5HTDP	5/8"	Nitrile	Nitrile
6HTDP	3/4"	Nitrile	Nitrile
8HTDP	1"	Nitrile	Nitrile



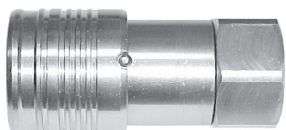
Note: Fits all ISO 16028 nipples

## HT-SERIES ISO16028 FLUSHFACE INTERCHANGE (NIPPLE DUST CAP)

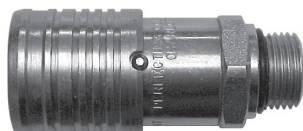
PART NO.	BODY SIZE	CAP LANYARD	BODY MATERIAL
HT2DC	1/4"	Nitrile	Nitrile
HT3DC	3/8"	Nitrile	Nitrile
HT4DC	1/2"	Nitrile	Nitrile
HT5DC	5/8"	Nitrile	Nitrile
HT6DC	3/4"	Nitrile	Nitrile
HT8DC	1"	Nitrile	Nitrile

## HT-SERIES ISO16028 FLUSHFACE INTERCHANGE (COUPLER)

PART NO.	BODY SIZE	THREAD SIZE	BODY MATERIAL
2HTF2	1/4"	1/4"-18NPTF	Steel
2HTBF2	1/4"	1/4"-19 BSPP	Steel
3HTF3	3/8"	3/8"-18 NPTF	Steel
3HTF3-SS	3/8"	3/8"-18 NPTF	316 Stainless Steel
3HTOF3	3/8"	9/16"-18 ORB	Steel
3HTBF3	3/8"	3/8"-19 BSPP	Steel
3HTBF3-SS	3/8"	3/8"-19 BSPP	316 Stainless Steel
3HTF4	3/8"	1/2"-14 NPTF	Steel
3HTF4-SS	3/8"	1/2"-14 NPTF	316 Stainless Steel
3HTOF4	3/8"	3/4"-16 ORB	Steel
3HTBF4	3/8"	1/2"-14 BSPP	Steel
3HTBF4-SS	3/8"	1/2"-14 BSPP	316 Stainless Steel
4HTF4	1/2"	1/2"-14 NPTF	Steel
4HTF4-SS	1/2"	1/2"-14 NPTF	316 Stainless Steel
4HTOF4	1/2"	3/4"-16 ORB	Steel
4HTBF4	1/2"	1/2"-14 BSPP	Steel
4HTBF4-SS	1/2"	1/2"-14 BSPP	316 Stainless Steel
4HTOF5	1/2"	7/8"-14 ORB	Steel
4HTF6	1/2"	3/4"-14 NPTF	Steel
4HTF6-SS	1/2"	3/4"-14 NPTF	316 Stainless Steel
4HTOF6	1/2"	1 1/16"-12 ORB	Steel
4HTBF6	1/2"	3/4"-14 BSPP	Steel
4HTBF6-SS	1/2"	3/4"-14 BSPP	316 Stainless Steel
5HTOF5	5/8"	7/8"-14 ORB	Steel
5HTF6	5/8"	3/4"-14 NPTF	Steel
5HTF6-SS	5/8"	3/4"-14 NPTF	316 Stainless Steel
5HTOF6	5/8"	1 1/16"-12 ORB	Steel
5HTBF6	5/8"	3/4"-14 BSPP	Steel
5HTBF6-SS	5/8"	3/4"-14 BSPP	316 Stainless Steel
6HTOF5	3/4"	7/8"-14 ORB	Steel
6HTF6	3/4"	3/4"-14 NPTF	Steel
6HTF6-SS	3/4"	3/4"-14 NPTF	316 Stainless Steel
6HTOF6	3/4"	1 1/16"-12 ORB	Steel
6HTBF6	3/4"	3/4"-14 BSPP	Steel
6HTBF6-SS	3/4"	3/4"-14 BSPP	316 Stainless Steel
6HTF8	3/4"	1"-11 1/2 NPTF	Steel
6HTF8-SS	3/4"	1"-11 1/2 NPTF	316 Stainless Steel
6HTOF8	3/4"	1 5/16"-12 ORB	Steel
6HTBF8	3/4"	1"-11 BSPP	Steel
6HTBF8-SS	3/4"	1"-11 BSPP	316 Stainless Steel
8HTF8	1"	1"-11 1/2 NPTF	Steel
8HTF8-SS	1"	1"-11 1/2 NPTF	316 Stainless Steel
8HTOF8	1"	1 5/16"-12 ORB	Steel
8HTBF8	1"	1"-11 BSPP	Steel
8HTBF8-SS	1"	1"-11 BSPP	316 Stainless Steel
8HTF10	1"	1 1/4"-11 1/2 NPTF	Steel
8HTF10-SS	1"	1 1/4"-11 1/2 NPTF	316 Stainless Steel
8HTOF10	1"	1 5/8"-12 ORB	Steel
8HTBF10	1"	1 1/4"-11 BSPP	Steel
8HTBF10-SS	1"	1 1/4"-11 BSPP	316 Stainless Steel
12HTF12	1 1/2"	1 1/2"-11 1/2 NPTF	Steel
12HTBF12	1 1/2"	1 1/2"-11 BSPP	Steel
12HTOF12	1 1/2"	1 7/8"-12 ORB	Steel
16HTF16	2"	2"-11 1/2 NPTF	Steel
16HTBF16	2"	2"-11 BSPP	Steel
16HTOF16	2"	2 1/2"-12 ORB	Steel



(Female Thread)



(Male Thread)

## HT SERIES ISO16028 FLUSHFACE INTERCHANGE (COUPLER)

PART NO.	BODY SIZE	THREAD SIZE	BODY MATERIAL
3HTM3	3/8"	3/8"-18 NPTF	Steel
3HTM4	3/8"	1/2"-14 NPTF	Steel
3HTOM4	3/8"	3/4"-16 ORB	Steel
4HTJB5	1/2"	7/8"-14 JIC BH	Steel
4HTRB5	1/2"	1"-14 ORFS BH	Steel
4HTJB6	1/2"	1 1/6"-12 JIC BH	Steel

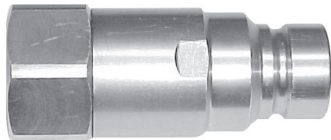
### IMPORTANT

Although a special lubricant is used to protect the flushface seals during pre-service storage, the seals are still vulnerable until they are exposed to the system fluid. It is recommended to lubricate the seals before the first connection by placing a drop of oil into the main valve grooves on the face of the nipple.

# Quick Release Couplings

## HT-SERIES ISO16028 FLUSHFACE INTERCHANGE (NIPPLE)

PART NO.	BODY SIZE	THREAD SIZE	BODY MATERIAL
HT2F2	1/4"	1/4"-18 NPTF	Steel
HT2BF2	1/4"	1/4"-19 BSPP	Steel
HT3F3	3/8"	3/8"-18 NPTF	Steel
HT3F3-SS	3/8"	3/8"-18 NPTF	316 Stainless Steel
HT3OF3	3/8"	9/16"-18 ORB	Steel
HT3BF3	3/8"	3/8"-19 BSPP	Steel
HT3BF3-SS	3/8"	3/8"-19 BSPP	316 Stainless Steel
HT3F4	3/8"	1/2"-14 NPTF	Steel
HT3F4-SS	3/8"	1/2"-14 NPTF	316 Stainless Steel
HT3OF4	3/8"	3/4"-16 ORB	Steel
HT3BF4	3/8"	1/2"-14 BSPP	Steel
HT3BF4-SS	3/8"	1/2"-14 BSPP	316 Stainless Steel
HT4F4	1/2"	1/2"-14 NPTF	Steel
HT4F4-SS	1/2"	1/2"-14 NPTF	316 Stainless Steel
HT4OF4	1/2"	3/4"-16 ORB	Steel
HT4BF4	1/2"	1/2"-14 BSPP	Steel
HT4BF4-SS	1/2"	1/2"-14 BSPP	316 Stainless Steel
HT4OF5	1/2"	7/8"-14 ORB	Steel
HT4F6	1/2"	3/4"-14 NPTF	Steel
HT4F6-SS	1/2"	3/4"-14 NPTF	316 Stainless Steel
HT4OF6	1/2"	1 1/16"-12 ORB	Steel
HT4BF6	1/2"	3/4"-14 BSPP	Steel
HT4BF6-SS	1/2"	3/4"-14 BSPP	316 Stainless Steel
HT5OF5	5/8"	7/8"-14 ORB	Steel
HT5F6	5/8"	3/4"-14 NPTF	Steel
HT5F6-SS	5/8"	3/4"-14 NPTF	316 Stainless Steel
HT5OF6	5/8"	1 1/16"-12 ORB	Steel
HT5BF6	5/8"	3/4"-11 BSPP	Steel
HT5BF6-SS	5/8"	3/4"-11 BSPP	316 Stainless Steel
HT6OF5	3/4"	7/8"-14 ORB	Steel
HT6F6	3/4"	3/4"-14 NPTF	Steel
HT6F6-SS	3/4"	3/4"-14 NPTF	316 Stainless Steel
HT6OF6	3/4"	1 1/16"-12 ORB	Steel
HT6BF6	3/4"	3/4"-14 BSPP	Steel
HT6BF6-SS	3/4"	3/4"-14 BSPP	316 Stainless Steel
HT6F8	3/4"	1"-11 1/2 NPTF	Steel
HT6F8-SS	3/4"	1"-11 1/2 NPTF	316 Stainless Steel
HT6F8	3/4"	1 5/16"-12 ORB	Steel
HT6BF8	3/4"	1"-11 BSPP	Steel
HT6BF8-SS	3/4"	1"-11 BSPP	316 Stainless Steel
HT8F8	1"	1"-11 1/2 NPTF	Steel
HT8F8-SS	1"	1"-11 1/2 NPTF	316 Stainless Steel
HT8OF8	1"	1 5/16"-12 ORB	Steel
HT8BF8	1"	1"-11 BSPP	Steel
HT8BF8-SS	1"	1"-11 BSPP	316 Stainless Steel
HT8F10	1"	1 1/4"-11 1/2 NPTF	Steel
HT8F10-SS	1"	1 1/4"-11 1/2 NPTF	316 Stainless Steel
HT8OF10	1"	1 5/8"-12 ORB	Steel
HT8BF10	1"	1 1/4"-11 BSPP	Steel
HT8BF10-SS	1"	1 1/4"-11 BSPP	316 Stainless Steel
HT12F12	1 1/2"	1 1/2"-11 1/2 NPTF	Steel
HT12BF12	1 1/2"	1 1/2"-11 BSPP	Steel
HT12OF12	1 1/2"	1 7/8"-12 ORB	Steel
HT16F16	2"	2"-11 1/2 NPTF	Steel
HT16BF16	2"	2"-11 BSPP	Steel
HT16OF16	2"	2 1/2"-12 ORB	Steel



(Female Thread)



(Male Thread)

## HT-SERIES ISO16028 FLUSHFACE INTERCHANGE (NIPPLE)

PART NO.	BODY SIZE	THREAD SIZE	BODY MATERIAL
HT3M3	3/8"	3/8"-18 NPTF	Steel
HT3M4	3/8"	1/2"-14 NPTF	Steel
HT3OM4	3/8"	3/4"-16 ORB	Steel
HT4JB5	1/2"	7/8"-14 JIC BH	Steel
HT4RB5	1/2"	1"-14 ORFS BH	Steel
HT4JB6	1/2"	1 1/6"-12 JIC BH	Steel

### IMPORTANT

Although a special lubricant is used to protect the flushface seals during pre-service storage, the seals are still vulnerable until they are exposed to the system fluid. It is recommended to lubricate the seals before the first connection by placing a drop of oil into the main valve grooves on the face of the nipple.