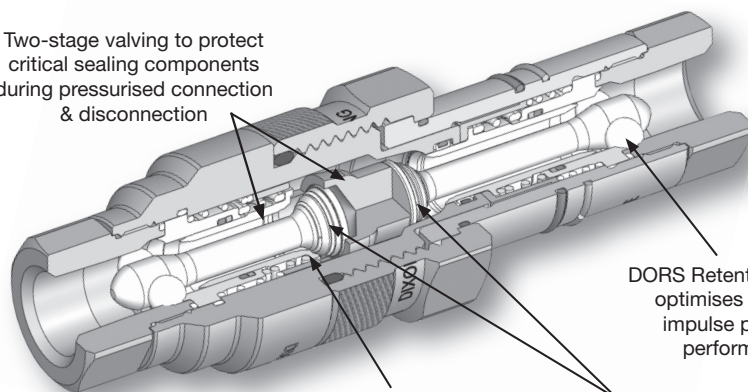


VEP-Series Threaded Flushface Interchange

Two-stage valving to protect critical sealing components during pressurised connection & disconnection



Posi-Lock valve system secures valving during surge-flow conditions to prevent high-velocity damage

DORS Retention System optimises flow and impulse pressure performance

High performance stem seals constructed of Acetal or Polyurethane



F

Features:

- Fully Interchangeable with Stucchi VEP-P/VEP-HD Series, DNP PST4 Series, Voswinkel FT Series, Holmbury HFT Series and Parker FET-Series
- Available with NPTF, BSPP, ORB and Optional Code 62 Connections
- Improved Connect and Disconnect Performance Up To 5,500psi (380 Bar)
- Patented Valve Mechanism Optimises Flow and Pressure Performance
- Improved Corrosion Resistance Using ROHS Compliant Zinc Nickel Plating
- Temperature Range: -30°C to +100°C (-22°F to +212°F)

Technical Specifications

Body Size	Pressure Rating				Burst Pressure						Max. Pressure Connect ³		Max. Pressure Disconnect ³		Rated Flow ΔP=21.75psi
	ISO Working ¹		Max. Impulse ²		Connected		Coupler		Plug		psi	Bar	psi	Bar	L/min
	psi	Bar	psi	Bar	psi	Bar	psi	Bar	psi	Bar					
1/4"	6,000	400	9,000	620	24,000	1650	22,000	1520	22,000	1520	5,500	380	5,500	380	13
3/8"	5,500	380	8,000	550	22,000	1520	18,000	1240	20,000	1380	4,500	310	4,500	310	40
1/2"	5,500	380	8,000	550	22,000	1520	18,000	1240	20,000	1380	4,500	310	4,500	310	66
3/4"	5,500	380	8,000	550	22,000	1520	18,000	1240	20,000	1380	4,500	310	4,500	310	85
1"	5,500	380	7,500	520	22,000	1520	14,500	1000	20,000	1380	3,625	250	3,625	250	123
1 1/4"	5,000	350	7,000	480	20,000	1380	14,500	1000	16,000	1100	3,625	250	3,625	250	174
1 1/2"	4,500	310	5,800	400	18,000	1240	12,000	830	14,500	1000	3,000	210	3,000	210	360
2"	4,000	280	5,000	350	18,000	1240	12,000	830	14,500	1000	3,000	210	3,000	210	653

¹ Couplings Impulse tested in accordance with ISO7241-2 for 1,000,000 cycles connected and 100,000 cycles disconnected at 133% of ISO Working Pressure.

² Couplings Impulse tested in accordance with ISO7241-2 for 100,000 cycles connected and disconnected at Maximum Impulse pressure listed.

³ System temperature for Maximum Connect/Disconnect Pressure must not exceed 65°C (150°F).

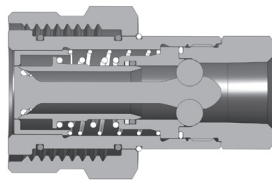
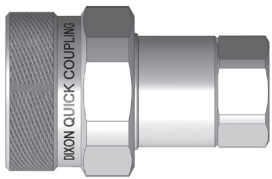
How to Connect & Disconnect the VEP-Series Coupling

1. Prior to connecting, thoroughly clean all mating surfaces and threads on both halves, then pull the coupler sleeve forward.
2. To initiate the connection, align the coupler and plug, pushing/turning the coupler sleeve towards the plug while engaging the threads.
3. Allow the threads to pull the coupler onto the plug, do not push the coupler onto the plug.
4. The first phase of the connection should be threaded by hand, without the use of tools.
5. The second phase of the connection may require a wrench if the pressure is higher than anticipated.
6. Continue to thread the coupler sleeve onto the plug until the end of the sleeve meets the plug body
7. To disconnect, use a wrench to break the coupler sleeve free and keep the mating halves aligned during the disconnection process.



Quick Release Couplings

F



VEP SERIES THREADED FLUSHFACE (COUPLER)

PART NO.	SIZE	THREAD	LENGTH		MAXIMUM OD		WEIGHT KG.	HEX MM
			in	mm	in	mm		
2VEPF2	1/4"	1/4" - 18 NPTF	2.14	54.4	1.49	37.8	0.22	20
2VEPBF2	1/4"	1/4" - 19 BSPP	2.14	54.4	1.49	37.8	0.22	20
3VEPF3	3/8"	3/8" - 18 NPTF	2.55	64.8	1.62	41.1	0.29	20
3VEPBF3	3/8"	3/8" - 19 BSPP	2.55	64.8	1.62	41.1	0.29	20
3VEPF4	3/8"	1/2" - 14 NPTF	2.77	70.4	1.62	41.1	0.30	20
3VEPBF4	3/8"	1/2" - 14 BSPP	2.77	70.4	1.62	41.1	0.30	20
4VEPF4	1/2"	1/2" - 14 NPTF	3.08	78.2	1.98	50.3	0.62	15
4VEPBF4	1/2"	1/2" - 14 BSPP	3.08	78.2	1.98	50.3	0.62	15
4VEPF6	1/2"	3/4" - 14 NPTF	3.38	85.9	1.98	50.3	0.71	15
4VEPBF6	1/2"	3/4" - 14 BSPP	3.38	85.9	1.98	50.3	0.71	15
6VEPF6	3/4"	3/4" - 14 NPTF	3.37	85.6	2.19	55.6	0.77	1
6VEPBF6	3/4"	3/4" - 14 BSPP	3.37	85.6	2.19	55.6	0.77	1
8VEPF8	1"	1" - 11 1/2 NPTF	3.89	98.8	2.46	62.5	1.11	1
8VEPBF8	1"	1" - 11 BSPP	3.89	98.8	2.46	62.5	1.11	1
10VEPF10	1 1/4"	1 1/4" - 11 1/2 NPTF	4.40	111.8	2.70	68.6	1.71	1
10VEPBF10	1 1/4"	1 1/4" - 11 BSPP	4.40	111.8	2.70	68.6	1.71	1
12VEPF12	1 1/2"	1 1/2" - 11 1/2 NPTF	5.28	134.1	3.74	95.0	4.12	1
12VEPBF12	1 1/2"	1 1/2" - 11 BSPP	5.28	134.1	3.74	95.0	4.12	1
16VEPF16	2"	2" - 11 1/2 NPTF	9.42	239.3	7.39	187.7	15.22	1
16VEPBF16	2"	2" - 11 BSPP	9.42	239.3	7.39	187.7	15.22	1

VEP SERIES THREADED FLUSHFACE (NIPPLE)

PART NO.	SIZE	THREAD	LENGTH		MAXIMUM OD		WEIGHT KG.	HEX MM
			in	mm	in	mm		
VEP2F2	1/4"	1/4" - 18 NPTF	2.67	67.8	1.35	34.3	0.24	20
VEP2BF2	1/4"	1/4" - 19 BSPP	2.67	67.8	1.35	34.3	0.24	20
VEP3F3	3/8"	3/8" - 18 NPTF	3.28	83.3	1.48	37.6	0.34	20
VEP3BF3	3/8"	3/8" - 19 BSPP	3.28	83.3	1.48	37.6	0.34	20
VEP3F4	3/8"	1/2" - 14 NPTF	3.50	88.9	1.48	37.6	0.35	20
VEP3BF4	3/8"	1/2" - 14 BSPP	3.50	88.9	1.48	37.6	0.35	20
VEP4F4	1/2"	1/2" - 14 NPTF	3.87	98.3	1.86	47.2	0.59	10
VEP4BF4	1/2"	1/2" - 14 BSPP	3.87	98.3	1.86	47.2	0.59	10
VEP4F6	1/2"	3/4" - 14 NPTF	4.07	103.4	1.86	47.2	0.68	10
VEP4BF6	1/2"	3/4" - 14 BSPP	4.07	103.4	1.86	47.2	0.68	10
VEP6F6	3/4"	3/4" - 14 NPTF	4.12	104.6	1.98	50.3	0.83	1
VEP6BF6	3/4"	3/4" - 14 BSPP	4.12	104.6	1.98	50.3	0.83	1
VEP8F8	1"	1" - 11 1/2 NPTF	4.95	125.7	2.20	55.9	1.20	1
VEP8BF8	1"	1" - 11 BSPP	4.95	125.7	2.20	55.9	1.20	1
VEP10F10	1 1/4"	1 1/4" - 11 1/2 NPTF	5.43	137.9	2.73	69.3	1.44	1
VEP10BF10	1 1/4"	1 1/4" - 11 BSPP	5.43	137.9	2.73	69.3	1.44	1
VEP12F12	1 1/2"	1 1/2" - 11 1/2 NPTF	6.63	168.4	3.74	95.0	4.09	1
VEP12BF12	1 1/2"	1 1/2" - 11 BSPP	6.63	168.4	3.74	95.0	4.09	1
VEP16F16	2"	2" - 11 1/2 NPTF	11.08	281.4	5.70	144.8	12.86	1
VEP16BF16	2"	2" - 11 BSPP	11.08	281.4	5.70	144.8	12.86	1



VEP SERIES THREADED FLUSHFACE (DUST CAP)

PART NO.	SIZE	MATERIAL
VEP2DC-A	1/4"	Aluminium
VEP3DC-A	3/8"	Aluminium
VEP4DC-A	1/2"	Aluminium
VEP6DC-A	3/4"	Aluminium
VEP8DC-A	1"	Aluminium
VEP10DC-A	1 1/4"	Aluminium
VEP12DC-A	1 1/2"	Aluminium
VEP16DC-A	2"	Aluminium

VEP SERIES THREADED FLUSHFACE (DUST PLUG)

PART NO.	SIZE	MATERIAL
2VEPDP-A	1/4"	Aluminium
3VEPDP-A	3/8"	Aluminium
4VEPDP-A	1/2"	Aluminium
6VEPDP-A	3/4"	Aluminium
8VEPDP-A	1"	Aluminium
10VEPDP-A	1 1/4"	Aluminium
12VEPDP-A	1 1/2"	Aluminium
16VEPDP-A	2"	Aluminium