

Butterfly Valves - 400 Series

Housing:	Aluminium
Discs:	Type 316 Stainless or Nodular Iron
Stem Packing:	Buna-N
Stem Bushings:	Thermal plastic polymer, top and bottom
Resilient Seat:	Nitrile
Handle:	High strength 713 Alloy Aluminium with retrogressive re-aging process - stronger than industry standard Cast Iron handles. Stainless Steel spring and locking lever pin
Throttling Plate:	Five position, high strength Aluminium Alloys

Features:

- Aluminium Body
- Nodular Iron Disc
- 17-4 SS Stem
- Nitrile, FDA approved Black Seat



NODULAR IRON					
COMPLETE VALVE WITH NODULAR IRON DISC		NODULAR IRON REPLACEMENT DISCS		BLACK REPLACEMENT NITRILE SEATS	
PART NO.	SIZE	PART NO.	SIZE	PART NO.	SIZE
2-400-1500	2"	2-400-422237F	2"	2-400-422500	2"
3-400-1500	3"	3-400-422237F	3"	3-400-422500	3"
4-400-1500	4"	4-400-422237U	4"	4-400-422500	4"
4A-400-1500	4" TTMA	5-400-422237U	5"	4A-400-422500	4" TTMA
5-400-1500	5"	6-400-422237U	6"	5-400-422500	5"
6-400-1500	6"			6-400-422500	6"

Handles should be ordered separately.

Features:

- Aluminium Body
- 316 SS Disc
- 17-4 SS Stem
- Nitrile, FDA approved White Seat



STAINLESS STEEL					
COMPLETE VALVE WITH 316 STAINLESS STEEL DISC		316 STAINLESS STEEL REPLACEMENT DISCS		WHITE REPLACEMENT NITRILE SEATS	
PART NO.	SIZE	PART NO.	SIZE	PART NO.	SIZE
3-400-3501	3"	2-400-422209F	2"	2-400-422501	2"
4-400-3501	4"	3-400-422209F	3"	3-400-422501	3"
5-400-3501	5"	4-400-422209U	4"	4-400-422501	4"
6-400-3501	6"	5-400-422209U	5"	4A-400-422501	4" TTMA
		6-400-422209U	6"	5-400-422501	5"
				6-400-422501	6"

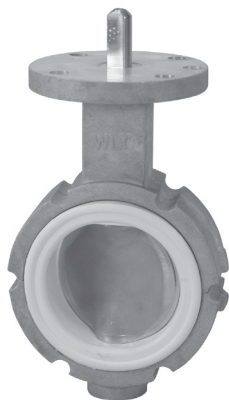
Handles should be ordered separately.

Butterfly Valves - 390 Series

Housing:	Aluminium
Discs:	Type 316 Stainles
Body Screws:	Cadmium Plated Steel
Stem Packing:	Buna
Stem Bushings:	Thermal plastic polymer, top and bottom
Resilient Seat:	Nitrile
Handle:	High strength 713 Alloy Aluminium with retrogressive re-aging process - stronger than industry standard Cast Iron handles. Stainless Steel spring and locking lever pin
Throttling Plate:	Five position, high strength Aluminium Alloy

Features:

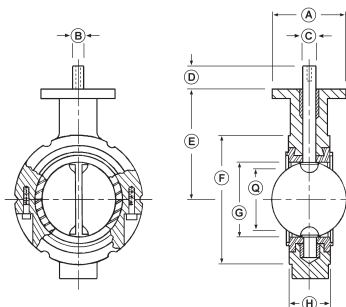
- 2 Piece Aluminium Body
- One piece 316 SS Disc and Stem
- Nitrile, FDA approved White Seat



STAINLESS STEEL					
COMPLETE VALVE WITH 316 SS DISC		316 STAINLESS STEEL REPLACEMENT DISCS		WHITE REPLACEMENT NITRILE SEATS	
PART NO.	SIZE	PART NO.	SIZE	PART NO.	SIZE
3-390-828501	3"	3-390-209F	3"	3-400-422501	3"
4-390-828U501	4"	4-390-209U	4"	4-400-422501	4"
5-390-828U501	5"	5-390-209U	5"	5-400-422501	5"
6-390-828U501	6"	6-390-209U	6"	6-390-363501	6"

Handles should be ordered separately.

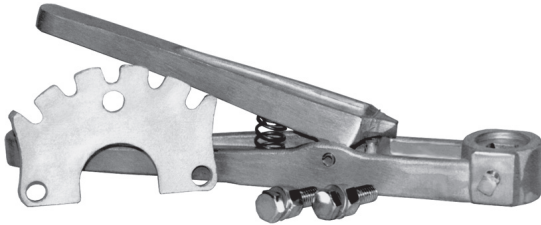
For 6" 390 series valve, use special handle 400-206-65.



DIMENSIONS & WEIGHTS										
SIZE	DIMENSIONS									WEIGHT IN LBS.
	A	B	C	D	E	F	G	H	Q	
2"	4.000	.375	.563	1.250	3.938	4.125	2.125	1.625	1.688	3
3"	4.000	.375	.563	1.250	4.875	5.375	3.125	1.750	2.875	4
4"	4.000	.438	.625	1.250	6.000	6.875	4.125	2.000	3.875	7
5"	4.000	.438	.625	1.250	6.000	7.625	5.188	2.125	5.000	9
6"	4.000	.438	.625	1.250	6.500	8.750	6.125	2.125	6.000	9

NOTE: Q dimension is the minimum allowable inside diameter of the pipe or mating flange.

Butterfly Valve Accessories



ALUMINIUM HANDLE KIT

PART NO.	SIZE
206-23-5	2" and 3"
206-46-5	4" thru 6"
400-206-65*	6" - 390

BUSHING & PACKING KITS

PART NO.	SIZE
2-3-400-99-BPKIT	2" and 3"
4-6-400-99-BPKIT	4" thru 6"
6-99-400BPKIT*	6"

316 STAINLESS SCREW SETS

PART NO.	SIZE
2-3-213	2" and 3"
4-5-6-213	4" thru 6"

17-4 STAINLESS STEMS

PART NO.	SIZE
2-400-422240	2"
3-400-422240	3"
4-400-422240	4"
5-400-422240	5"
6-400-422240	6"

Includes handle plate kit and handle/lever assembly.

*Use on 6" 390 series valves