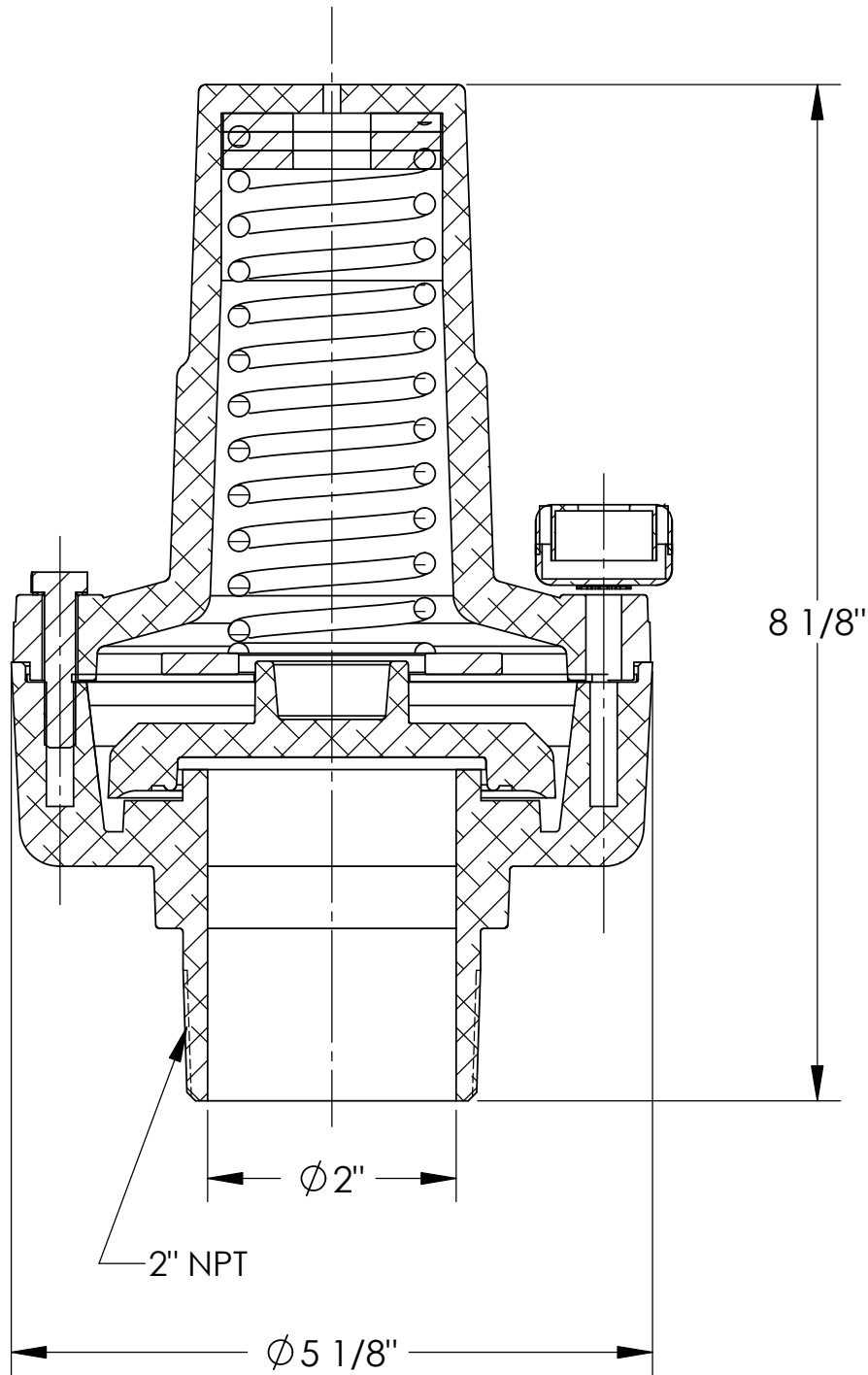


REVISIONS TABLE

REV.	ECR	DESCRIPTION	DATE	APPROVED
-	-	-	-	-



UNLESS OTHERWISE SPECIFIED
DIMENSIONS ARE IN INCHES.
TOLERANCES ARE:

FRACTIONS	DECIMALS	ANGLES
$\pm 1/32$.XX $\pm .03$	$\pm 1^\circ$
	.XXX $\pm .010$	

DIXON BAYCO LIMITED

2200 LOGAN AVE. WINNIPEG, MB. R2R 0J2

PHONE (204) 633-5650 FAX (204) 633-6119

DWG. NO.

451737-C

TITLE

2182
AIR RELIEF VALVE
Customer Drawing

MATERIAL xx

DONE BY	S.S.	Feb 21/05
---------	------	-----------

SIZE

A

REV. **0**

CHECKED	C.M.	Feb 21/05
---------	------	-----------

FINISH

DO NOT SCALE DRAWING

ECO

SHEET 1 OF 1