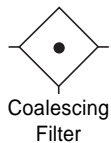


Coalescing Filter M35

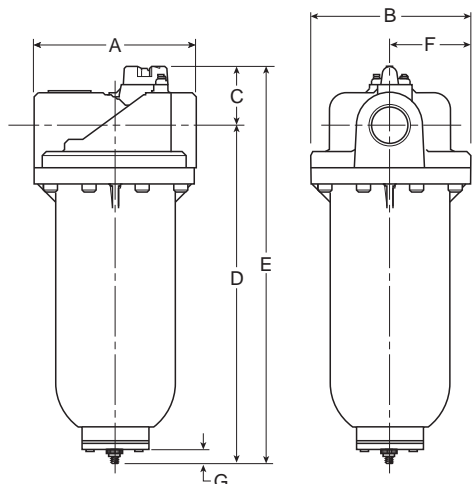
= "Most Popular"



M35-0B-000

Features

- Heavy-duty Cast Aluminum Housings to Withstand Operating Pressures Up to 250 PSIG †
- Differential Pressure Indicator to Eliminate the Guesswork of Element Replacement
- Differential Pressure Gauge Available, Order Separately, Kit DP3-01-000
- Unique Drain Mounting Plate Design Offers Trouble-free Method for Interchanging and Installing External Drains
- High-flow Filter Elements: Coalescing, 1 Micron and 0.01 Micron



Dimensions

| Models | Inches (mm) | A | B | C | D | E | F | G |
|---------------------------------------|-------------|---------------|---------------|--------------|------------------|----------------|--------------|-------------|
| Standard Unit M35-XX-F00 | | 7.80 (198) | 7.75 (197) | 2.81 (71) | 16.24 (412) | 19.07 (484) | 3.88 (99) | .55 (14) |
| Without Automatic Drain M35-XX-000 | | 7.80 (198) | 7.75 (197) | 2.81 (71) | 15.69 (398.5) | 18.52 (470) | 3.88 (99) | .55 (14) |

Specifications

| | | |
|-------------------------|-------------------------------------|--|
| Flow Capacity* | 1-1/2 | 710 SCFM (335 dm ³ /s) |
| | 2 | 710 SCFM (335 dm ³ /s) |
| Maximum Supply Pressure | without DPI and with Pressure Gauge | 250 PSIG (17.2 bar)† |
| | with DPI | 150 PSIG (10.3 bar) |
| Operating Temperature | 32° to 150°F (0° to 65.5°C) | |
| Port Size | NPT / BSPP-G | 1-1/2, 2 |
| Bowl Capacity | 13.9 oz | |
| Standard Filtration | Micron | (B1) 1.0, (C) 0.01 (D) 0.003 ppm / wt** |
| Weight | 19.3 lb. (8.7 kg) | |

* Inlet pressure 150 PSIG (10.3 bar). Pressure drop of 3 PSID (0.2 bar).

** Filtration temperature of 70°F (21°C) @100 PSIG (6.9 bar) with typical compressor lubricating oil and protected by Type "C" filter.

† Without Differential Pressure Indicator – Max. supply pressure is 250 PSIG (17.2 bar).

"M" Series Coalescing Filters, with Type "B1" 1.0 micron elements: All Wilkerson Type "M" Oil Removal (Coalescing) Filters with Type "B1" 1.0 micron elements **exceed ISO** Class 2 for maximum particle size and concentration of solid contaminants, and exceed Class 3 on maximum oil content (ppm/wt).

"M" Series Coalescing Filters, with Type "C" 0.01 micron elements: All Wilkerson Type "M" Oil Removal (Coalescing) Filters with Type "C" 0.01 micron elements **exceed ISO** Class 1 for maximum particle size and concentration of solid contaminants, and exceed Class 1 on maximum oil content (ppm/wt).

"M" Series Adsorption Filters, with Type "D" 0.003 micron activated carbon elements: All Wilkerson Type "M" adsorption filters with Type "D" 0.003 micron activated carbon elements **exceed ISO** Class 1 on maximum oil content (ppm/wt).

Materials of Construction

| | | |
|-----------------|----------------------------|--|
| Body | Aluminum | |
| Bowls | Aluminum | |
| Filter Elements | Type "B1", "C" Type "D" | Borosilicate Cloth Activated Carbon |
| Seals | Fluorocarbon | |
| Stud | Plated Steel | |

NOTE: Automatic internal float drain shown is included on M35 filters with F00 suffix only. Models with 000 suffix include drain plate with tapped 1/2 NPT / BSPP-G drain port.

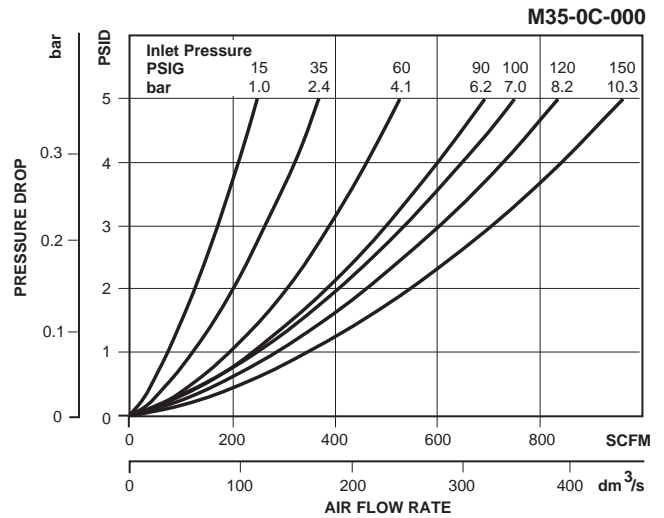
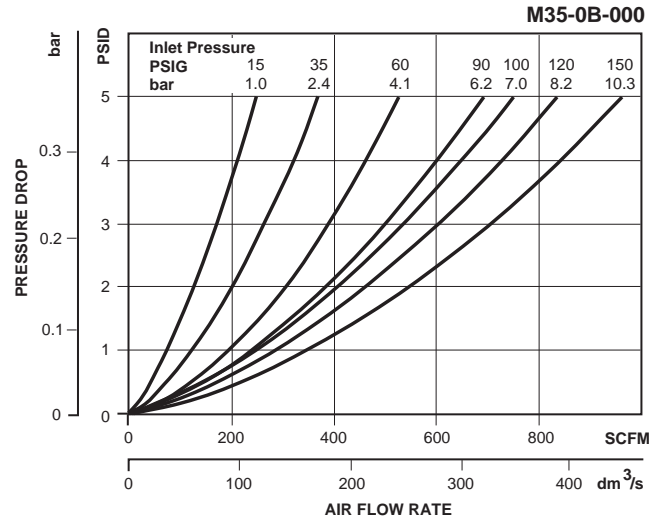
= "Most Popular"

Replacement Element Kits

- Type "B1", 1.0 Micron MSP-95-502
- Type "C", 0.01 Micron..... MTP-95-502
- Type "D", Oil Vapor Removing MXP-95-502

Accessories

- Cap, Differential Pressure Indicator –
(For pressures over 150 PSIG) GRP-95-022
- Drain, Automatic, Internal, Fluorocarbon..... GRP-95-981
- Drain Plate Kit –
1/2 NPT Tapped Drain Port..... GRP-95-393
- Gauge, Differential Pressure DP3-01-000
- Indicator, Differential Pressure..... DP2-02-001
- Manual Drain Kit
with 1/2" Drain Plate..... GRP-95-392



B
Filters, Regulators, Lubricators

Ordering Information

| Model Type | Port Size | Metal Bowl / "C" Element | Metal Bowl / "B1" Element | Metal Bowl / "D" Element |
|-----------------|-----------|--------------------------|---------------------------|---|
| Manual Drain | 1-1/2 | M35-0B-000 | M35-0B-S00 | M35-0B-X00 (Includes 1/2 NPT / BSPP-G M35-0C-X00 Drain Plate) |
| | 2 | M35-0C-000 | M35-0C-S00 | |
| Automatic Drain | 1-1/2 | M35-0B-F00 | M35-0B-FS0 | — |
| | 2 | M35-0C-F00 | M35-0C-FS0 | — |

Options - To order an option supplied with the unit model, add the appropriate coded suffix letter in the designated position of the model number.